

Teflon), to the main shaft and handle knob. And, at least once a year, remove spool and grease the main shaft with South Bend "Super Reel Grease" which is especially formulated for both fresh and salt water reels. Do not oil or lubricate the drag mechanism.

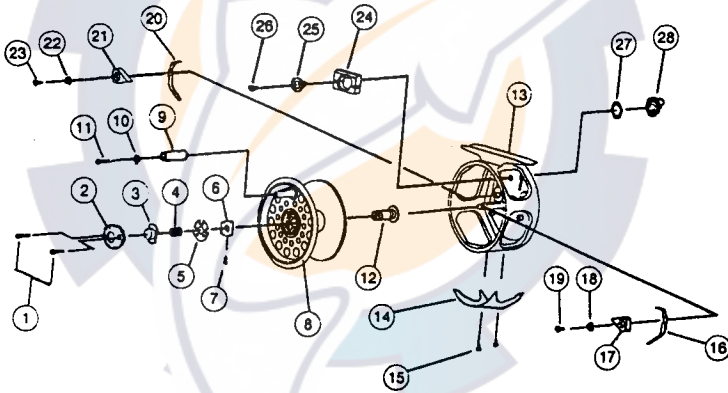
**LIMITED WARRANTY**

South Bend will repair or replace any product which proves defective in workmanship or materials within ninety days from the date of original purchase.

This warranty does not cover damage caused by negligence, accident, misuse, alteration of the product, or normal expected wear. Damage that is determined to be of this nature will be repaired at customer's expense.

**IMPORTANT**—Specify reel model number when ordering parts.

**Example**—Extra spool for Ginger Quill Rim Fly Reel 1154—specify 1154 (reel.no.) - 8 (spool part no.)



KEY NO.	DESCRIPTION	KEY NO.	DESCRIPTION
1	P/BUTTON COVER SCREW	15	LINE GUIDE SCREW
2	PUSH BUTTON COVER	16	CLICK PAWL SPRING
3	PUSH BUTTON	17	CLICK PAWL
4	P/BUTTON SPRING	18	CLICK PAWL WASHER
5	LOCK PLATE COVER	19	CLICK PAWL SCREW
6	SPOOL LOCK PLATE	20	CLICK PAWL SPRING
7	LOCK PLATE SPRING	21	CLICK PAWL
8	SPOOL UNIT	22	CLICK PAWL WASHER
9	HANDLE KNOB	23	CLICK PAWL SCREW
10	HANDLE KNOB WASHER	24	DRAG CAM HOLDER
11	HANDLE KNOB SCREW	25	DRAG CAM
12	SPOOL BUSH	26	DRAG CAM SCREW
13	FRAME UNIT	27	DRAG CLICK CLAW
14	LINE GUIDE	28	DRAG KNOB